

LOCKY

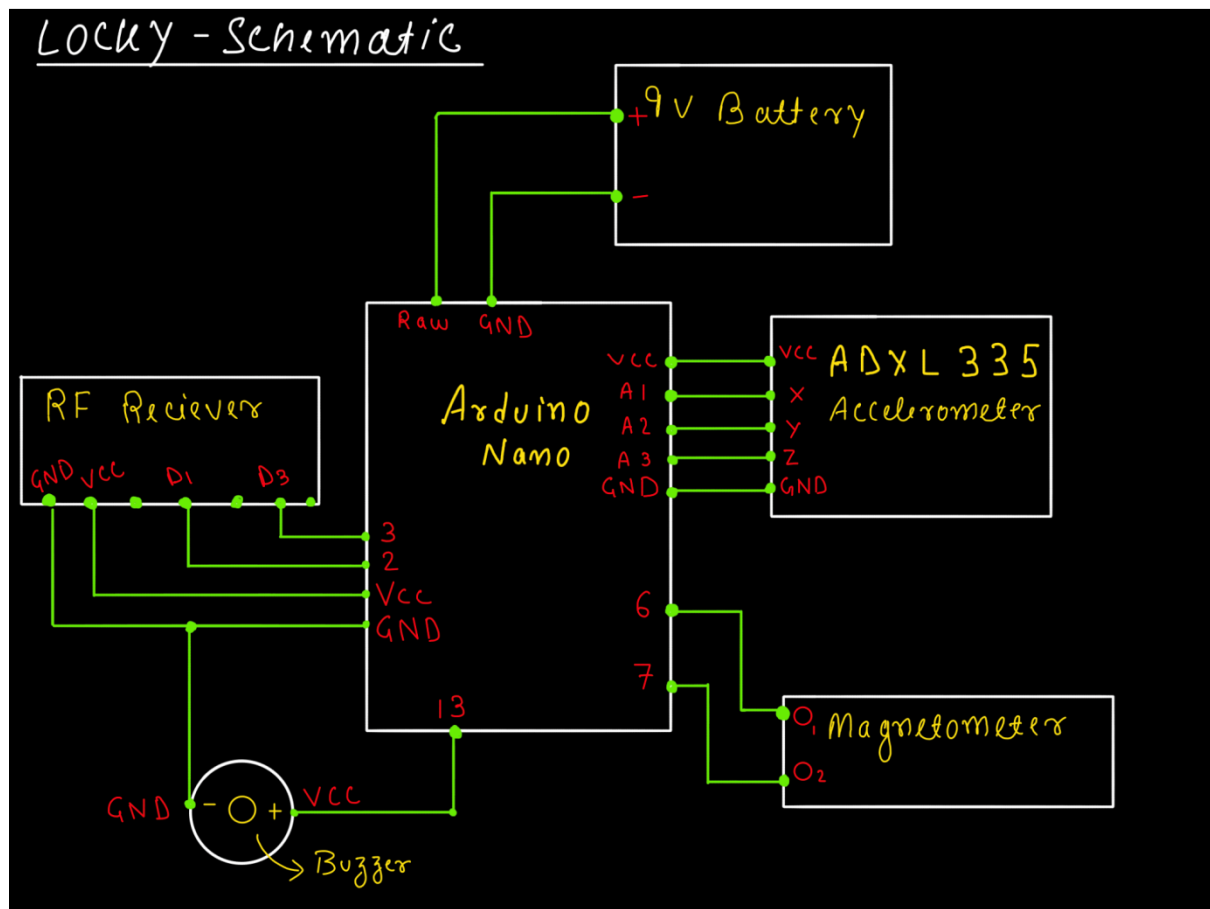
Description: The integrated ATL project LOCKY has been Ideated to make our bicycles more secured from intruders. The product is armed with Accelerometers and Magnetometers which are capable of detecting movement of the bicycle and rotation of the wheel respectively. The system is enabled with a Radio frequency remote by which the user can lock and unlock the bicycle under different circumstances. He can also access the panic mode when he is not able to find his vehicle * with the same remote control.

[* Provided he within the range of the transmitter and receiver.]

Materials Required:

1. Arduino Pro Mini (Micro-controller)
2. ADXL 335 (Accelerometer)
3. Magnetometer (Wheel rotation sensor)
4. Radio Frequency Transmitter and Receiver
5. Jumper Wires
6. Battery (As power Source)

Images Of The Model :



Achievements:

Team: